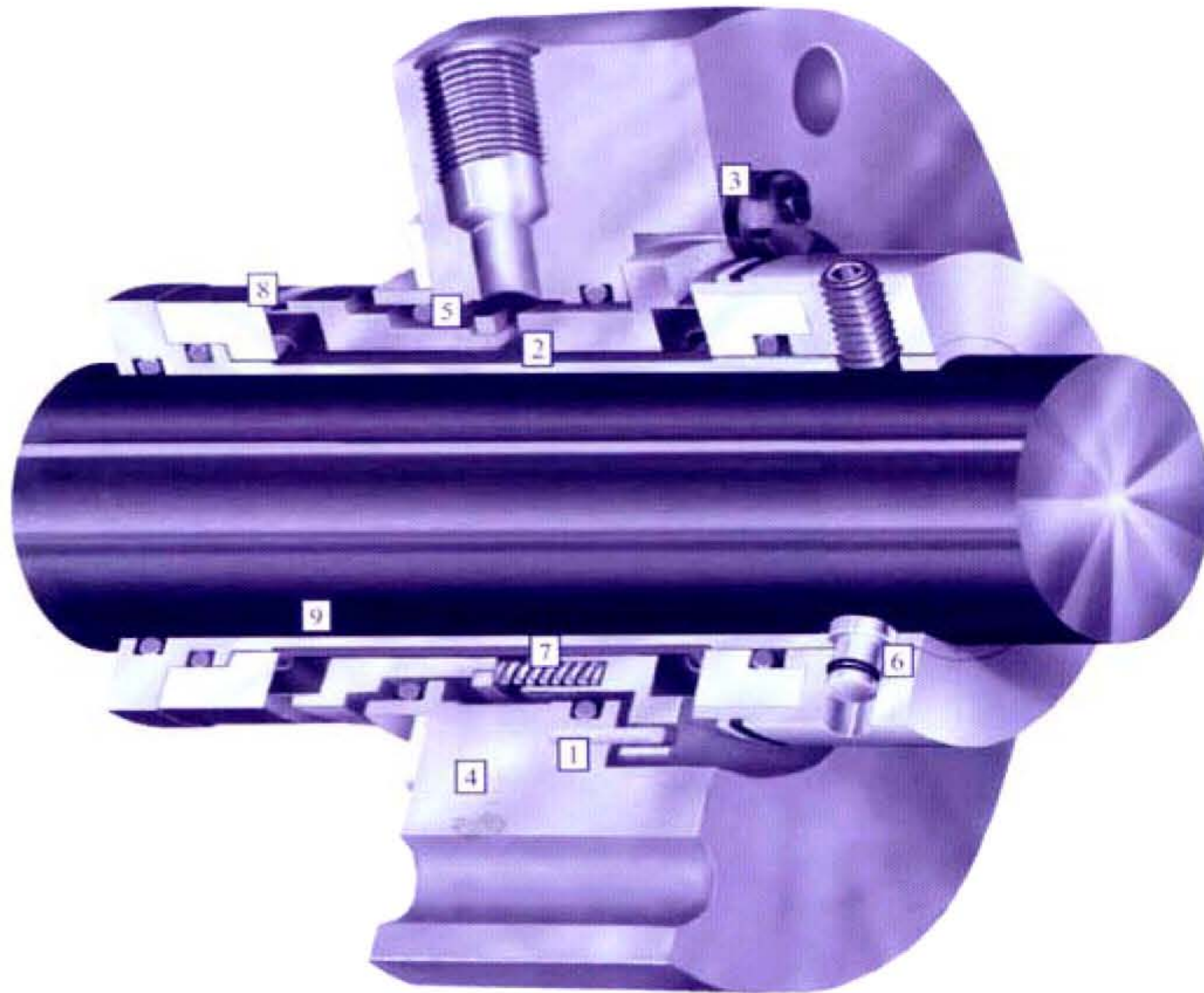


The Model 600



Modelo 600

The VAZEL ASI Model 600 is specially engineered to withstand greater radial and axial movement common to larger equipment such as slurry pumps, mixers and agitators. The seal components are designed to work in unison, preventing under or over-compression of the seal faces, as well as increasing free movement of the seal.